



TURBINE

INLINE AIR TRANSFER AND EXHAUST SYSTEM



DIY EASY INSTALLATION	240V	47W	IPx4		INDOOR ONLY
---------------------------------	------	-----	------	--	-------------

x 2	x 2	x 4
-----	-----	-----

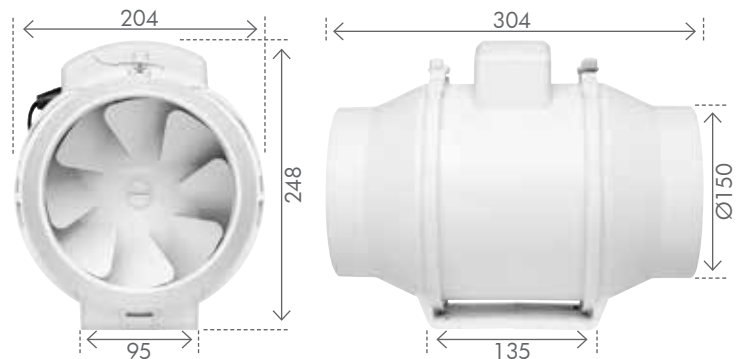
Transfer heat from one room to another, quickly and easily with Turbine air transfer kit. Utilise an existing heating/cooling source to its full potential and overcome the need for separate heating appliances in individual rooms. An air transfer kit can often be the most economical way of redirecting air within your home. Air Transfer Kits are ideal for homes with open fires or wood burners.

FEATURES

- Powerful 47W motor with Axial fan.
- IPX4 rated.
- Moves up to 500m³/hr.
- 175mm diameter impeller.
- Ball bearing motor.
- Ø150mm duct inlet/outlet size.
- DIY installation.
- 3-Year Warranty

INCLUDES

- 1 x 47W Inline Exhaust fan
- 2 x 3m Aluminium single layer ducting
- 2 x White ABS Grills
- 4 x Ring clamps



DETAILS			EXHAUST					
MODEL NO.	COLOUR	DUCT SIZE (mm)	WATTAGE (W)	BLADE SIZE (mm)	NOISE (dB)	m ³ /MIN	m ³ /HR	L/SEC
19951/05	WHITE	Ø150	47	175	≤50	≤8.3	≤500	≤139

The solution to heating or cooling your house more efficiently

Air transfer kits move excess hot or cold air from one room to another, so you heat or cool your house more efficiently.

Circulate trapped air

Home insulation and heating products (fires, gas, electric heating, etc) have all improved in quality and efficiency over the years and in many instances home owners are finding their heating systems are over-efficient for the room they are situated in. An air transfer kit will exhaust excess hot/cold air that would otherwise be wasted and circulate it to a designated room. The benefits of an air transfer system include saving energy and removing the need to buy additional heater elements for the other rooms. The key principle is to transfer heat, not to waste it.

Transfer the Heat to Another Room

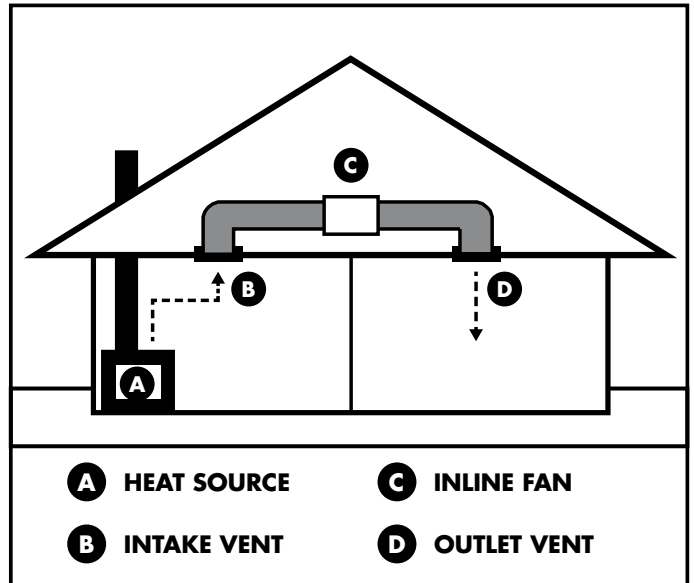
This problem is easily and inexpensively overcome with the installation of an air transfer system, which utilises this otherwise wasted heat by moving it throughout the home.

How our Air Transfer Kit works

Warm/Cool air is picked up through a ceiling vent which is ideally placed opposite the heating/cooling element to allow the source room to heat/cool first. An Inline fan will then transfer the hot/cold air to the vents in the destination room(s). The system can be controlled manually via a wall switch or through a thermostat (not included), (controlled by the temperature of the room).

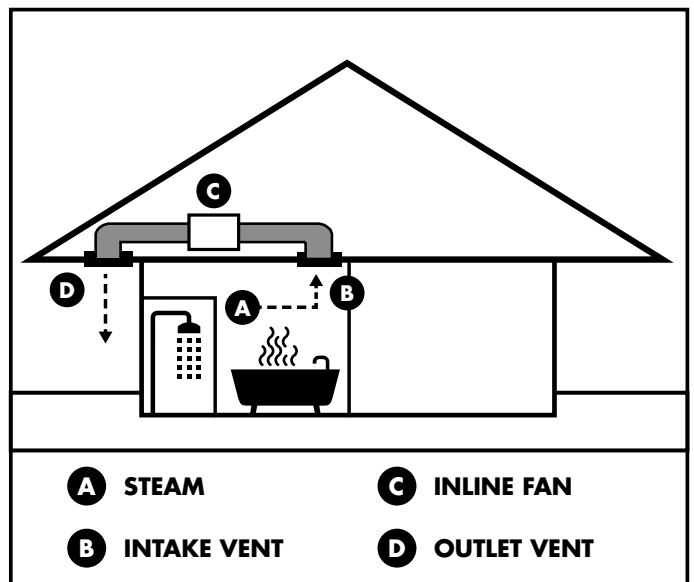
Improved circulation

As air is removed from the heated room, replacement air is drawn from adjacent rooms, creating a natural re-circulation, hence warm, dry air is constantly being circulated throughout the home.



Why Use An In Line Exhaust Fan?

In Line exhaust fans are installed in the roof space above (or slightly away) from the area of installation. Many choose to have an In Line fan because of its flexibility in being able to be mounted anywhere in the roof space above the room. Further to this, because it doesn't have to be mounted directly on the room, In Line fans can be a very quiet ventilation solution.



Ingress Protection Rating Explained

An IP rating stands for Ingress Protection. In easy terms, it's a rating that states how protected the product is against water or dust getting into its casing, or how resistant it is to impacts. Generally speaking, the higher the number equals better protection.

The Turbine air transfer motor has an IPX4 rating. This means that it is resistant to water splashing against the enclosure from any direction at 10 liters/min at a pressure of 80-100kN/m² for 5 minutes without harmful effect.

